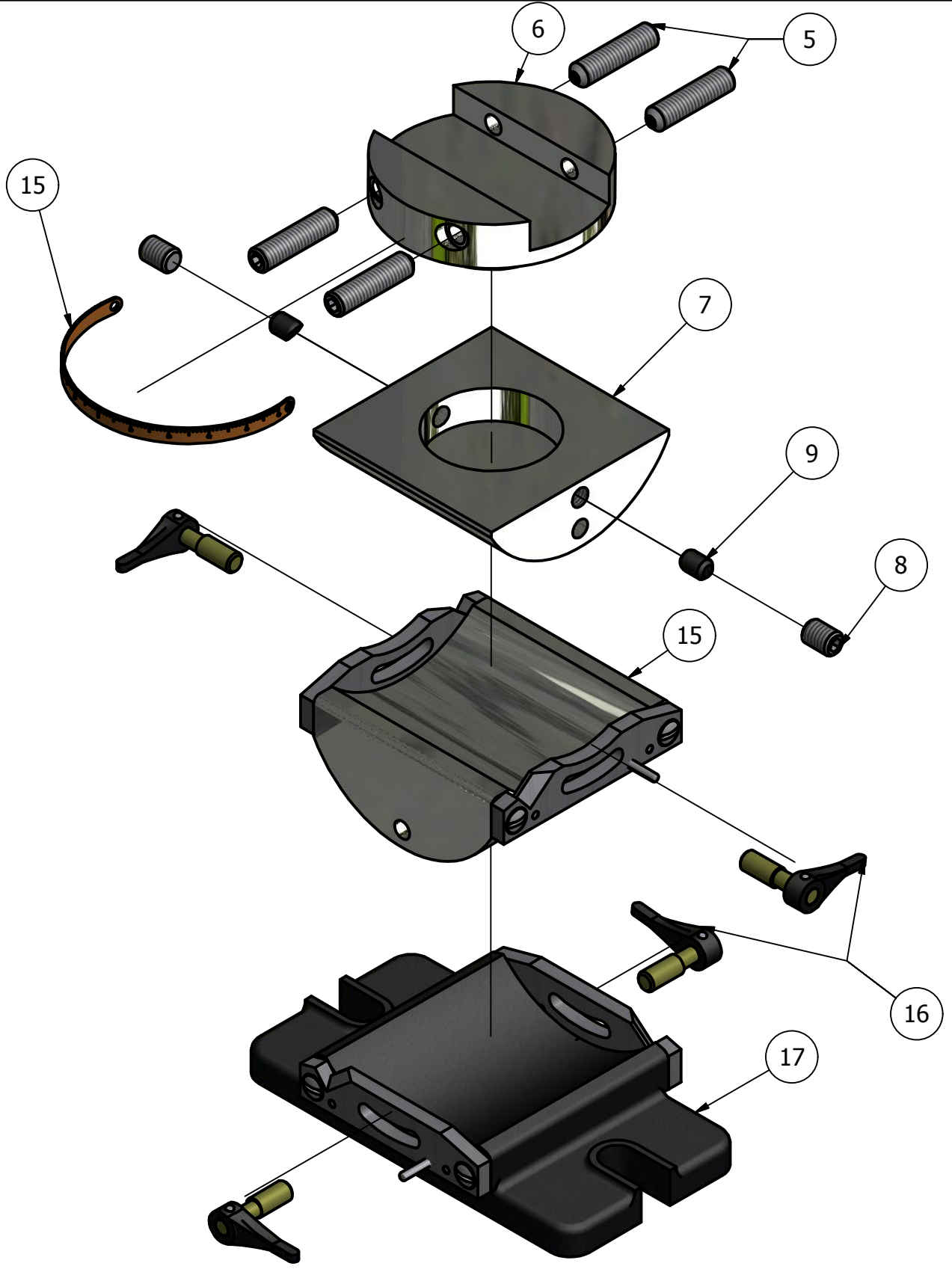
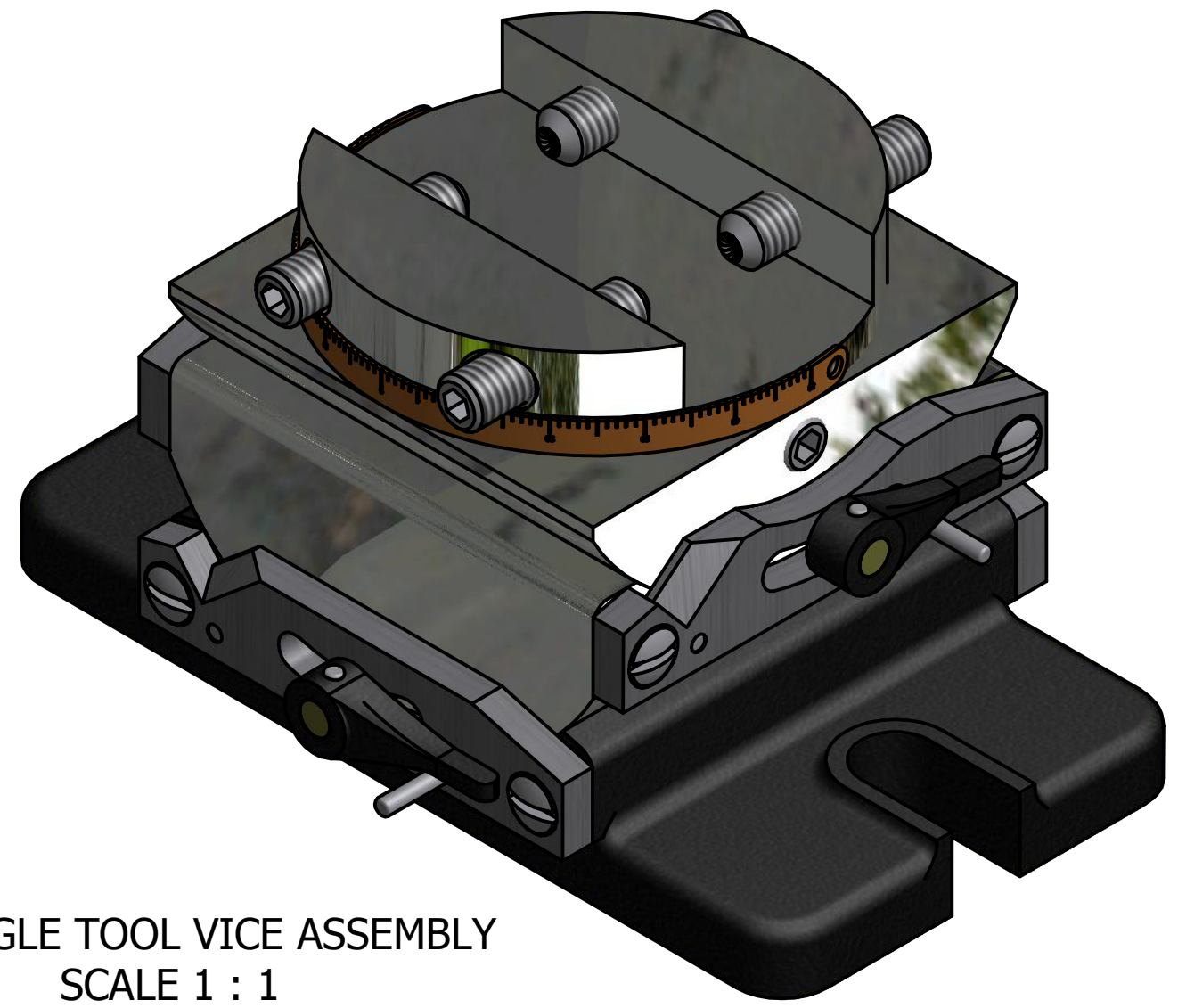


PARTS LIST

ITEM	QTY	PART NUMBER	DESCRIPTION	MATERIAL
5	4	ANSI B18.3 - 3/8 - 16 x 1 1/2	Type G - Hexagon Socket Set Screw - Cup Point	STEEL
6	1	COMPOUND TOOL HOLDER		CHROME
7	1	UPPER COMPOUND MEMBER		CHROME
8	2	ANSI B18.3 - 3/8-16 UNC x 0.51	Hexagon Socket Set Screw - Flat Point	STEEL
9	2	CLAMP PLUG		BRASS
15	1	COMPOUND CENTER MEMBER SUB ASSEMBLY		DEFAULT
16	1	LOCKING HANDLE SUB ASSEMBLY		DEFAULT
17	1	SADDLE SUB ASSEMBLY		DEFAULT
15	1	SCALE		DEFAULT



ANY ANGLE TOOL VICE EXPLODED ASSEMBLY
SCALE 1 / 2

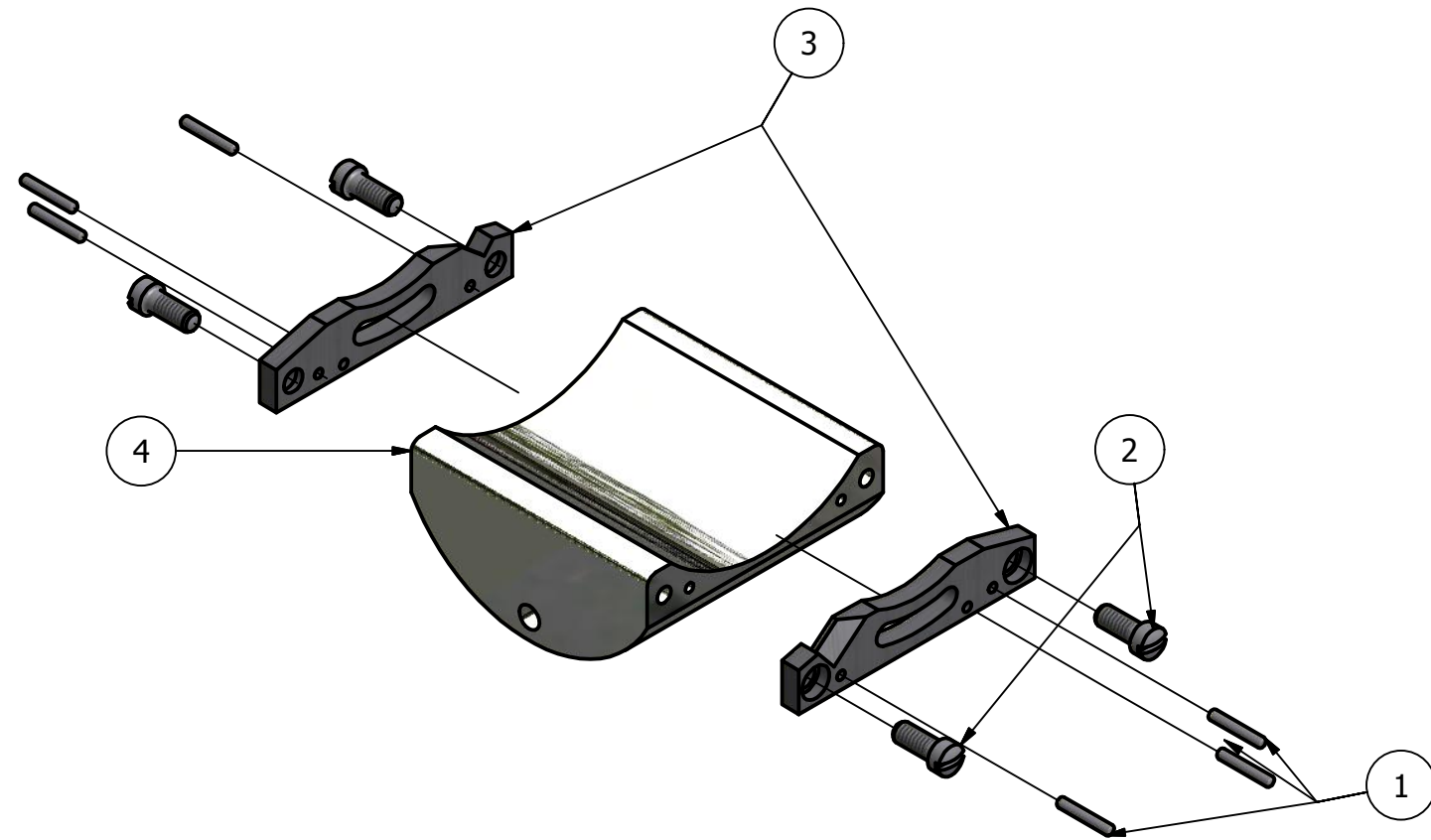


ANY ANGLE TOOL VICE ASSEMBLY
SCALE 1 : 1

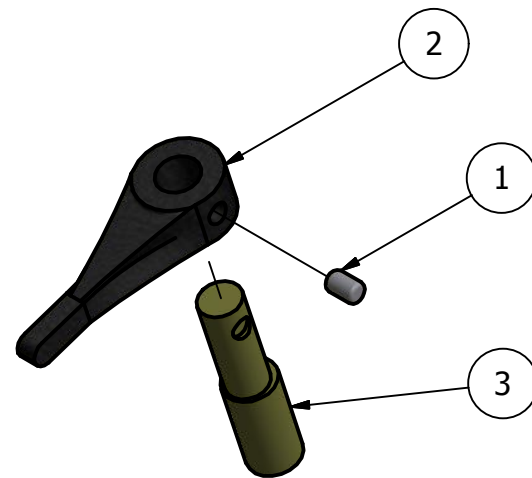
DIGITAL DESIGN GRAPHIC TECHNOLOGY	NAME:	JVALADAO	DWG NAME:	DWG #
	COURSE:	DDGT	ANY ANGLE TOOL VICE	1 OF 5
	DATE:	12/8/2010		

PRODUCED BY AN AUTODESK EDUCATIONAL PRODUCT

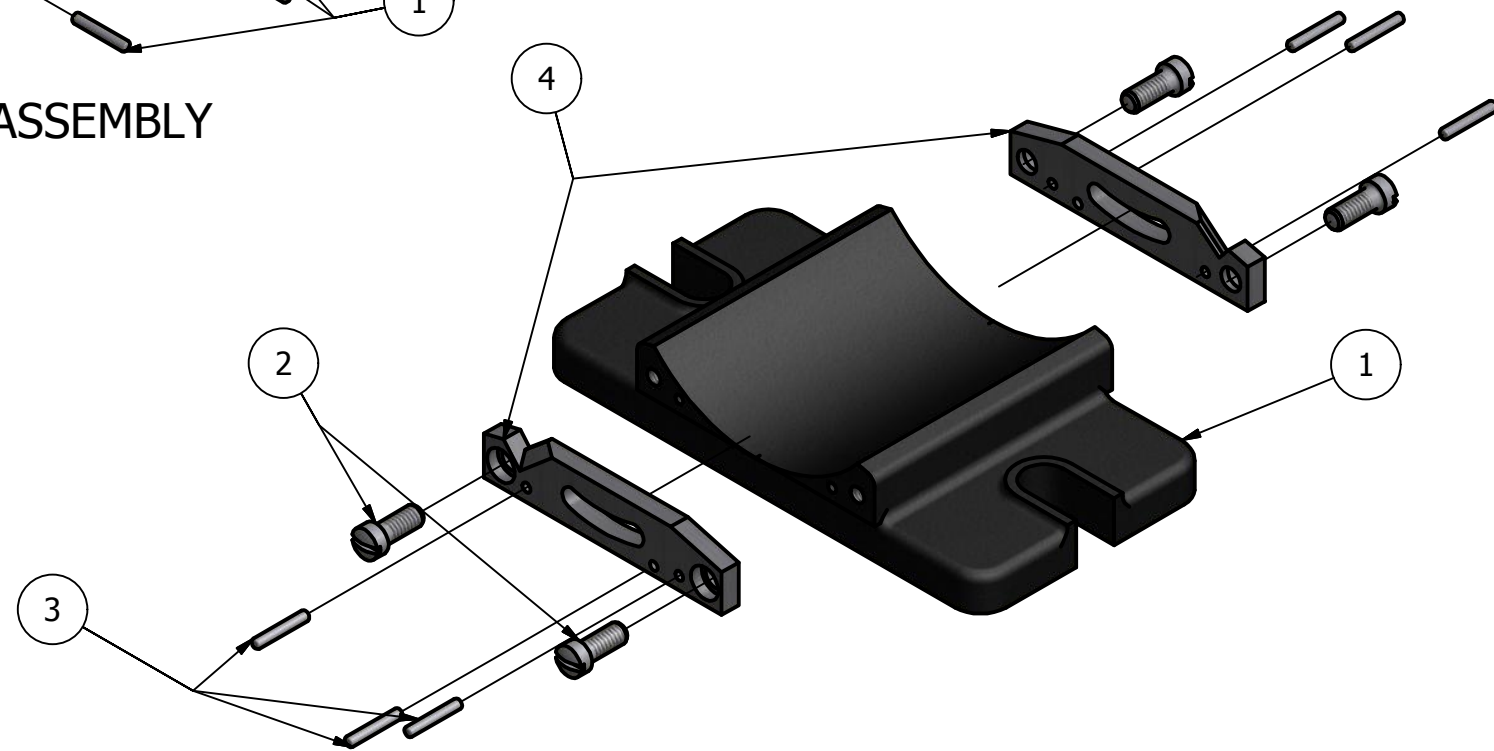
PRODUCED BY AN AUTODESK EDUCATIONAL PRODUCT



COMPOUNDCENTER MEMBER EXPLODED ASSEMBLY
SCALE 1 / 2



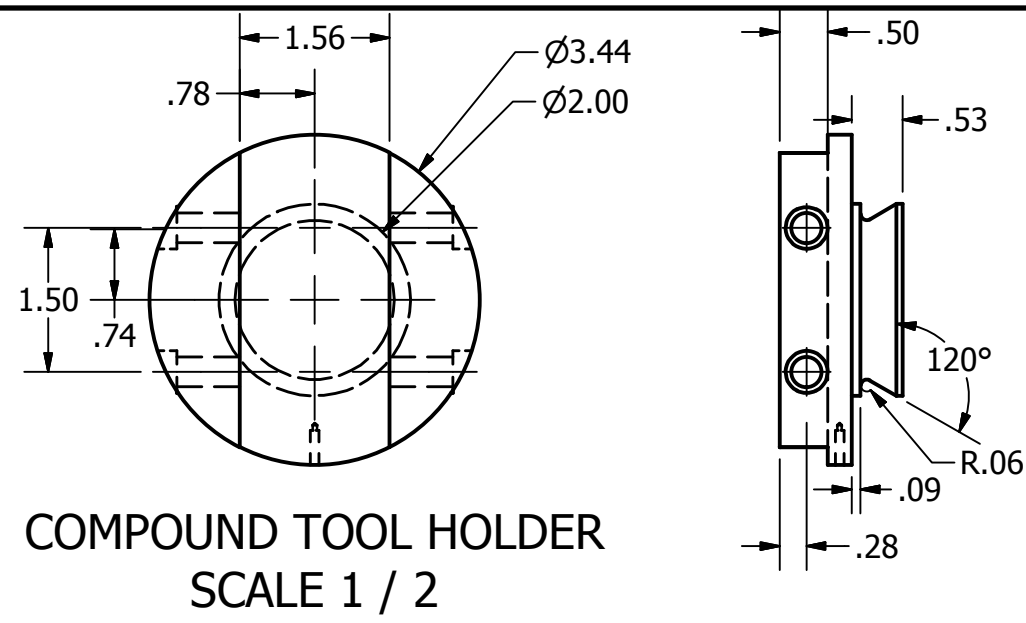
LOCKING HANDLE EXPLODED ASSEMBLY
SCALE 1 : 1



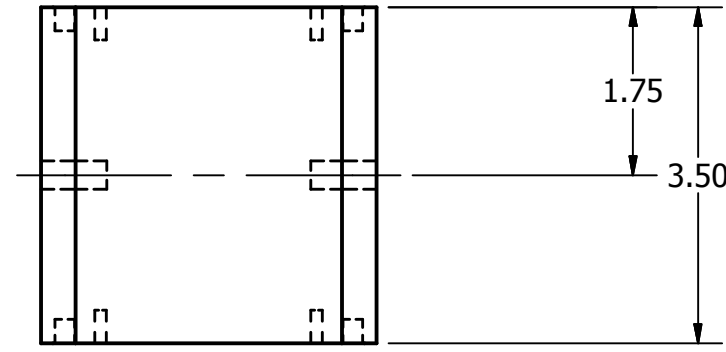
SADDLE EXPLODED ASSEMBLY
SCALE 1 / 2

PARTS LIST		
ITEM	QTY	PART NUMBER
1	12	ANSI B18.8.2 - 1/8 x 3/4
2	8	ANSI B18.6.2 - 1/4-20 UNC - 0.625
3	2	UPPER PLATE
4	1	COMPOUND CENTER MEMBER
10	1	SADDLE
11	2	LOWER PLATE
12	4	ANSI B18.8.2 - 1/8 x 3/16
13	4	LOCKING HANDLE
14	4	ECCENTRIC
15	1	SCALE

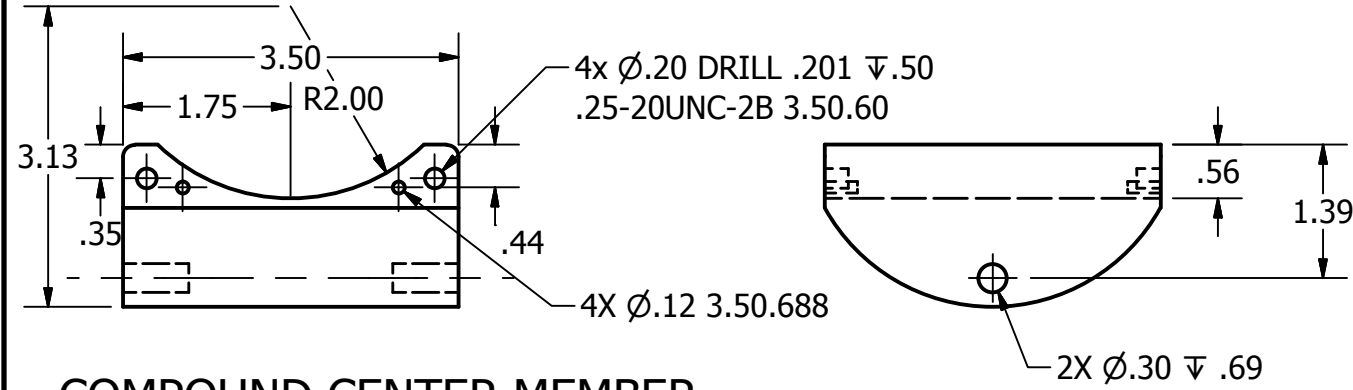
DIGITAL DESIGN GRAPHIC TECHNOLOGY	NAME:	JVALADAO	DWG NAME:	DWG #
	COURSE:	DDGT	ANY ANGLE TOOL VICE	2 OF 5
	DATE:	12/8/2010		



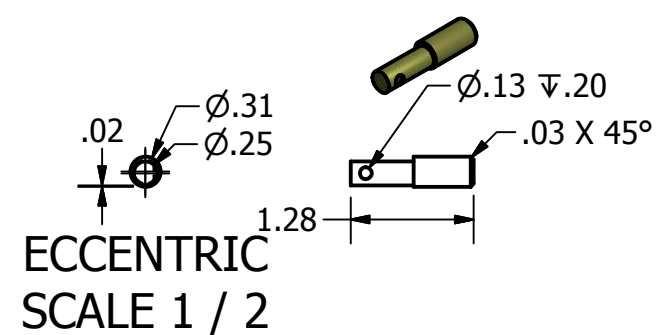
COMPOUND TOOL HOLDER
SCALE 1 / 2



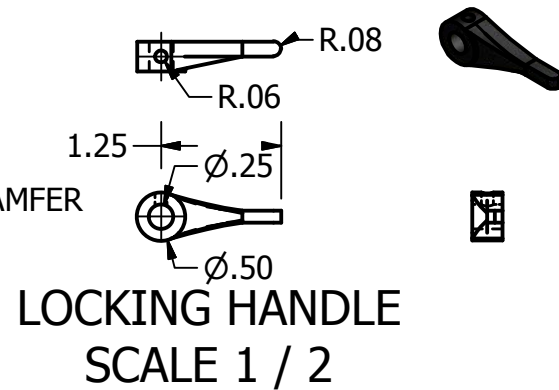
COMPOUND CENTER MEMBER
SCALE 1 / 2



COMPOUND CENTER MEMBER
SCALE 1 / 2

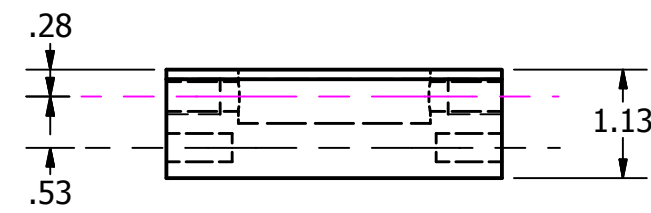
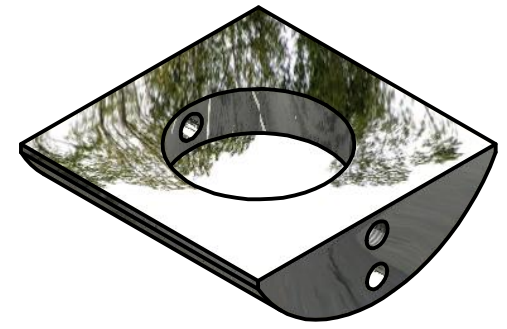
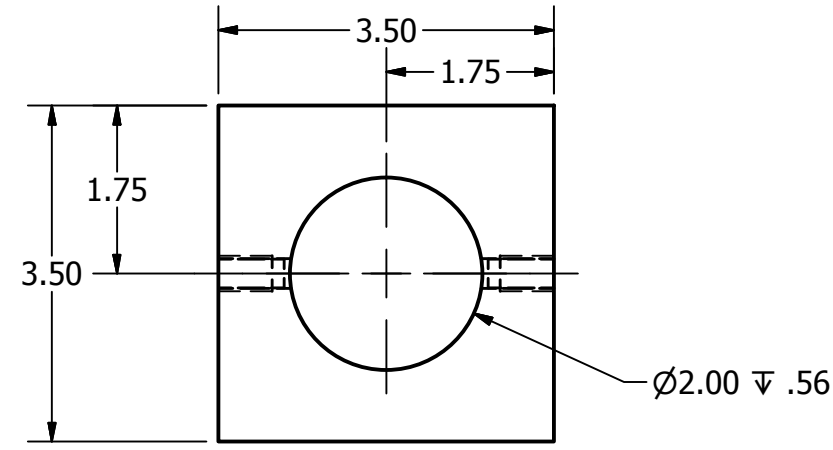


ECCENTRIC
SCALE 1 / 2

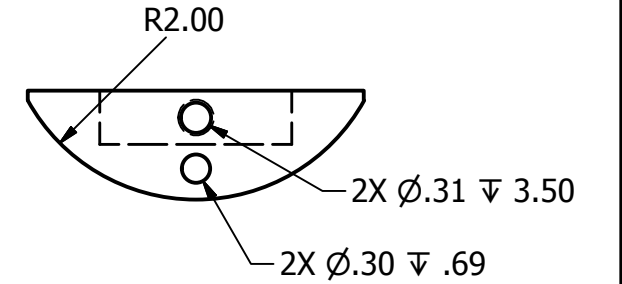


LOCKING HANDLE
SCALE 1 / 2

PARTS LIST		
ITEM	QTY	PART NUMBER
1	12	ANSI B18.8.2 - 1/8 x 3/4
2	8	ANSI B18.6.2 - 1/4-20 UNC - 0.625
4	1	COMPOUND CENTER MEMBER
6	1	COMPOUND TOOL HOLDER
7	1	UPPER COMPOUND MEMBER
8	2	ANSI B18.3 - 3/8-16 UNC x 0.51
12	4	ANSI B18.8.2 - 1/8 x 3/16
13	4	LOCKING HANDLE
14	4	ECCENTRIC
17	1	SADDLE SUB ASSEMBLY
15	1	SCALE

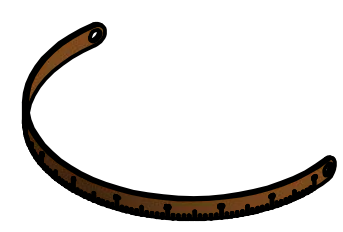
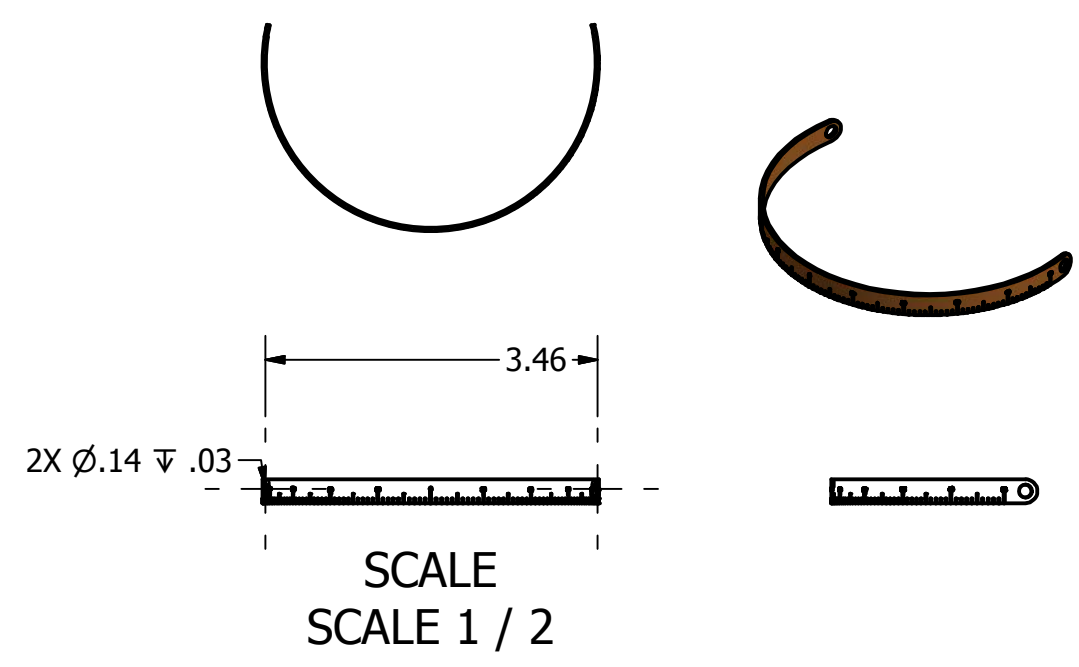
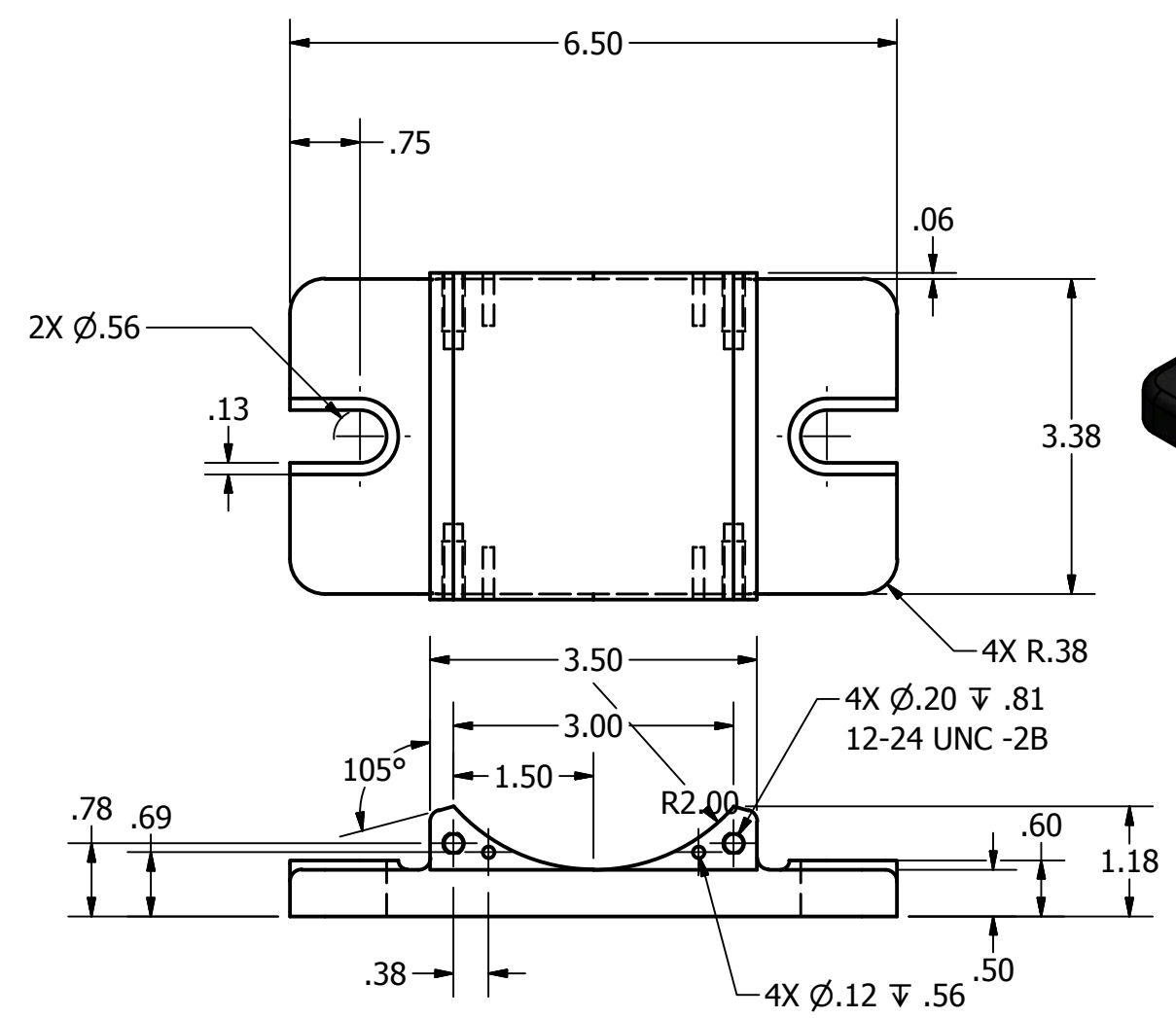
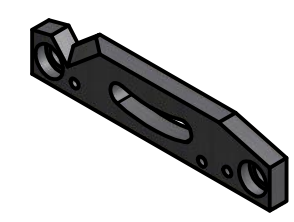
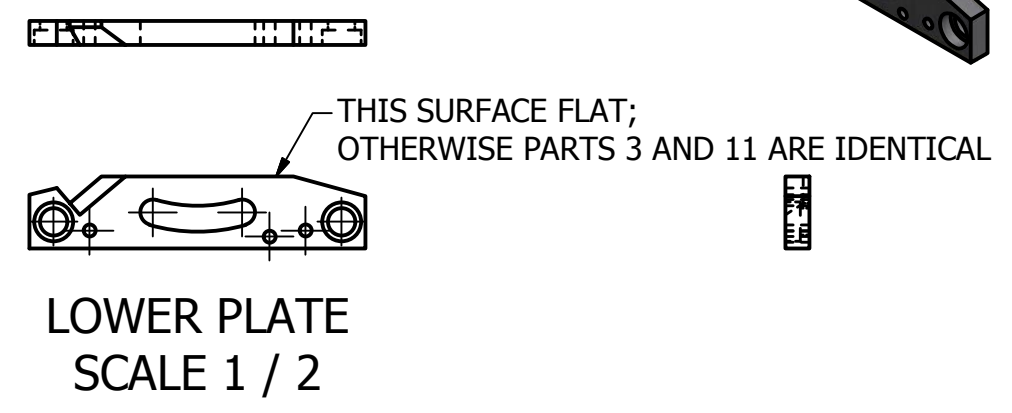
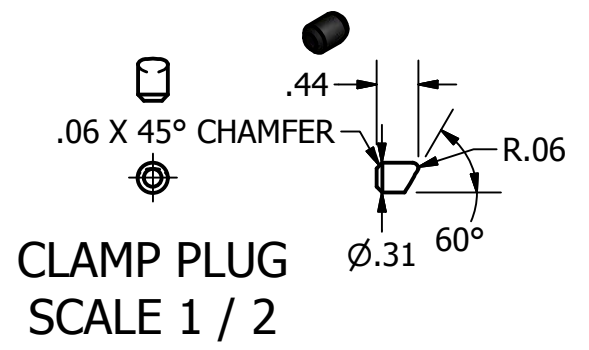
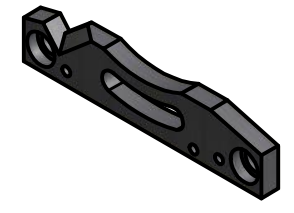
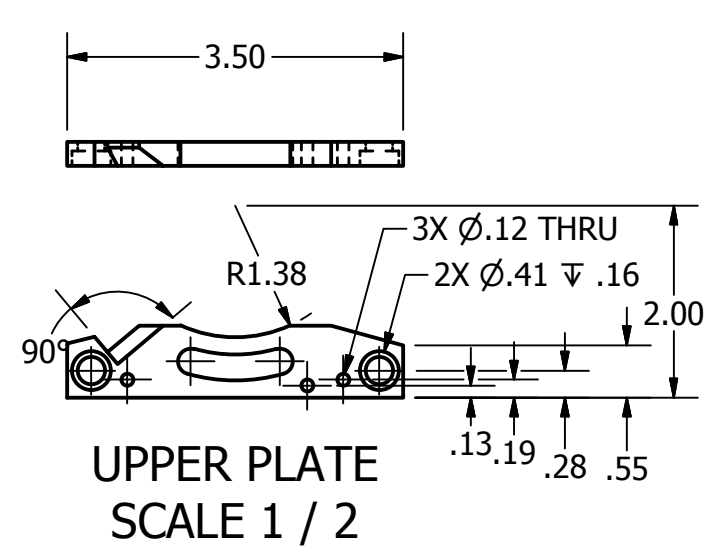


UPPER COMPOUND MEMBER
SCALE 1 / 2



DIGITAL DESIGN GRAPHIC TECHNOLOGY	NAME:	JVALADAO	DWG NAME:	DWG #
	COURSE:	DDGT	ANY ANGLE TOOL VICE	3 OF 5
	DATE:	12/8/2010		

PARTS LIST		
ITEM	QTY	PART NUMBER
1	12	ANSI B18.8.2 - 1/8 x 3/4
2	8	ANSI B18.6.2 - 1/4-20 UNC - 0.625
3	2	UPPER PLATE
5	4	ANSI B18.3 - 3/8 - 16 x 1 1/2
8	2	ANSI B18.3 - 3/8-16 UNC x 0.51
9	2	CLAMP PLUG
10	1	SADDLE
11	2	LOWER PLATE
12	4	ANSI B18.8.2 - 1/8 x 3/16
17	1	SADDLE SUB ASSEMBLY
15	1	SCALE

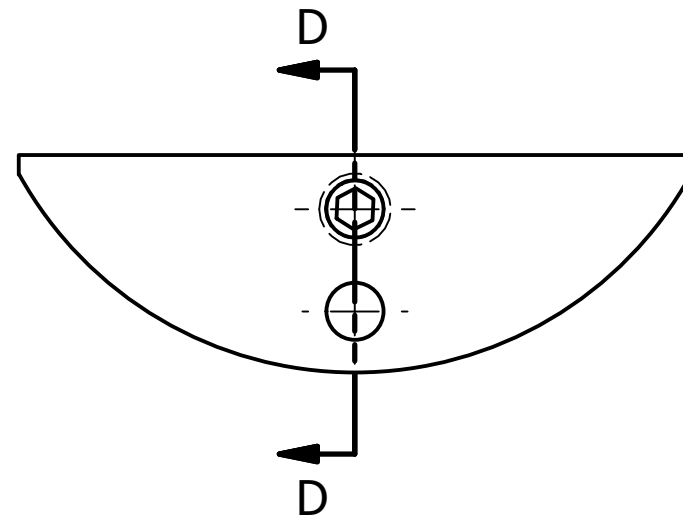


DIGITAL DESIGN GRAPHIC TECHNOLOGY	NAME:	JVALADAO	DWG NAME:	DWG #
	COURSE:	DDGT	ANY ANGLE TOOL VICE	4 OF 5
	DATE:	12/8/2010		

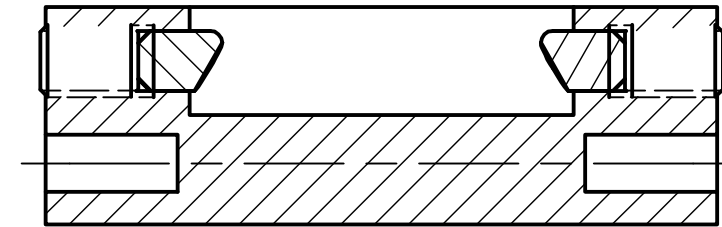
PRODUCED BY AN AUTODESK EDUCATIONAL PRODUCT

PRODUCED BY AN AUTODESK EDUCATIONAL PRODUCT

PARTS LIST		
ITEM	QTY	PART NUMBER
3	1	UPPER COMPOUND MEMBER
4	2	ANSI B18.3 - 3/8-16 UNC x 0.51
5	2	CLAMP PLUG



COMPOUND TOOL HOLDER SUB ASSEMBLY
SCALE 1 : 1



SECTION D-D
SCALE 1 : 1

DIGITAL DESIGN GRAPHIC TECHNOLOGY	NAME:	JVALADAO	DWG NAME:	DWG #
	COURSE:	DDGT	ANY ANGLE TOOL VICE	5 OF 5
	DATE:	12/8/2010		